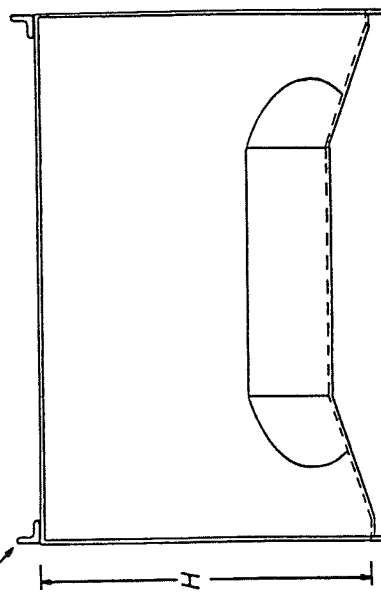
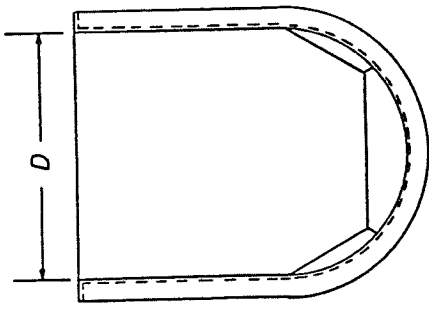


HEAD MEASURING STATION



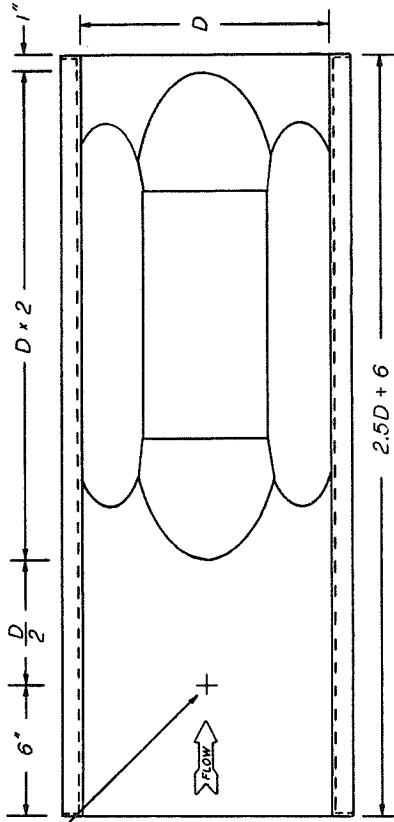
FIBERGLASS ANGLE CROSSBRACES NOT SHOWN ON TOP AND END VIEWS

D	D/2	Dx2	2D+2	H	MAX.HD.	M.G.D.	G.P.M.
4	2	8	10	6	0.29 ft.	0.07	48
6	3	12	14	8	0.39 ft.	0.25	173
8	4	16	18	10	0.51 ft.	0.50	347
10	5	20	22	12	0.69 ft.	0.95	660
12	6	24	26	14	0.79 ft.	1.50	1042
15	7.5	30	32	17	0.98 ft.	2.37	1645
18	9	36	38	20	1.15 ft.	3.80	2639
21	10.5	42	44	23	1.37 ft.	5.47	3798
24	12	48	50	26	1.63 ft.	9.00	6250
30	15	60	62	32	1.95 ft.	13.00	9028
36	18	72	74	38	2.90 ft.	22.00	15278
48	24	96	98	50	3.40 ft.	33.50	23264

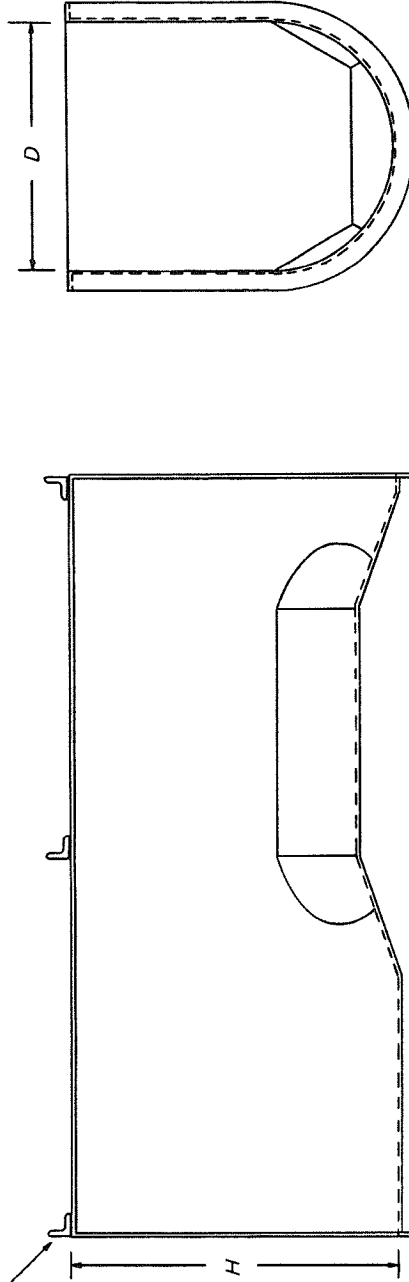
Sales & Support
 Intermountain Environmental
 (800) 948-6236 or (435)755-0774
<http://www.inmntn.com>
info@inmntn.com

FREE FLOW INC.
 OMAHA, NEBRASKA
 Sales: 2-12-87
 Approved By: _____
 Design By: J/L/K
 Scale: NONE
 PROJECT: PALMER-BOWLUS FLUME
 Drawing number: PB-20331A

HEAD MEASURING POINT



FIBERGLASS ANGLE NOT SHOWN ON TOP VIEW



D	D/2	Dx2	2.5D+6	H	MAX.HD.	M.G.D.	G.P.M.
4	2	8	16	6	0.29 ft.	0.07	48
6	3	12	21	8	0.39 ft.	0.25	173
8	4	16	26	10	0.51 ft.	0.50	347
10	5	20	31	12	0.69 ft.	0.95	660
12	6	24	36	14	0.79 ft.	1.50	1042
15	7.5	30	43.5	17	0.98 ft.	2.37	1645
18	9	36	51	20	1.15 ft.	3.80	2639
21	10.5	42	58.5	23	1.37 ft.	5.47	3798
24	12	48	66	26	1.63 ft.	9.00	6250
30	15	60	81	32	1.95 ft.	13.00	9028
36	18	72	96	38	2.90 ft.	22.00	15278
48	24	96	126	50	3.40 ft.	33.50	23264

Sales & Support
Intermountain Environmental
(800) 948-6236 or (435) 755-0774
<http://www.inimtn.com>
info@inimtn.com

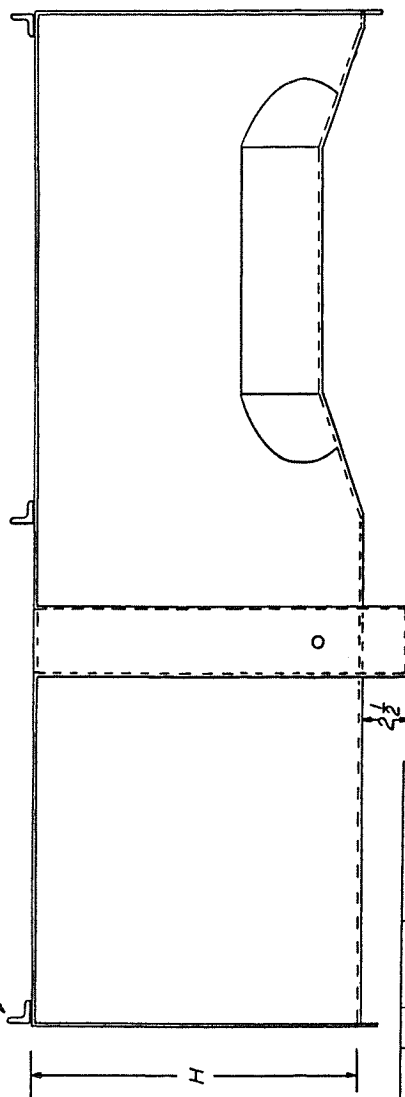
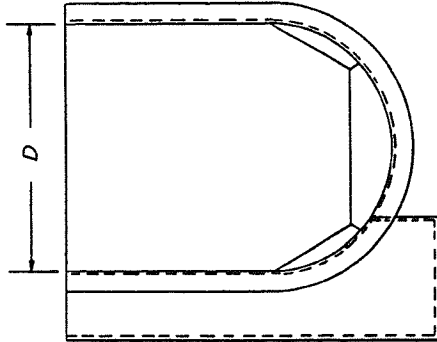
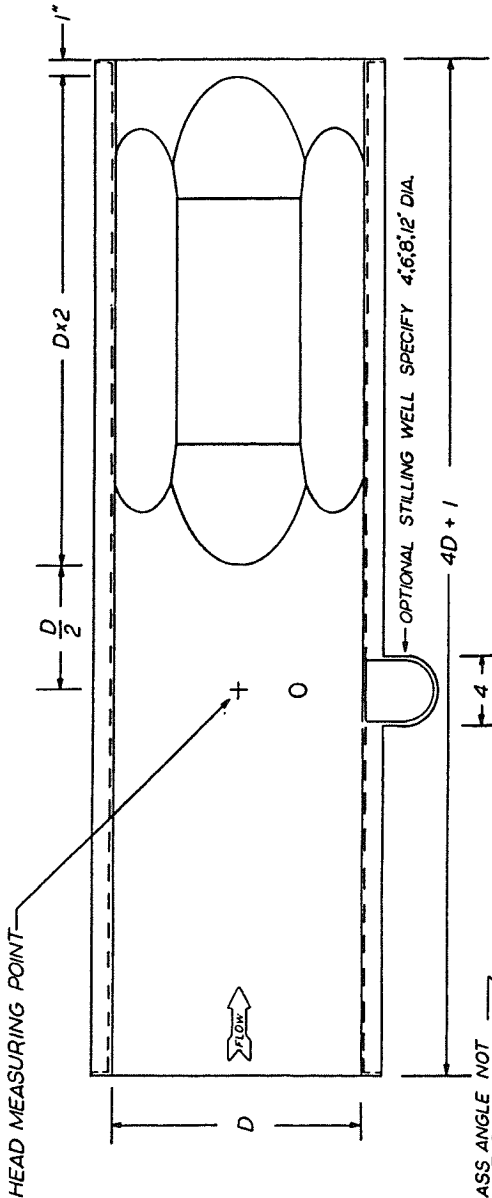


OMAHA
Date: 2-9-87
approved by: LAK
scale: NONE
NEBASKA

PROJECT:

© 1987 FREE FLOW INC.

drawing number
2.5D PALMER BOWLUS FLUME 1FB-20332



D	D/2	D x 2	4D+1	H	MAX. HD.	H/G.D.	G.P.H.
4	2	8	17	6	0.28	0.07	48
6	3	12	25	8	0.39	0.25	173
8	4	16	33	10	0.51	0.50	347
10	5	20	41	12	0.69	0.95	660
12	6	24	49	14	0.79	1.50	1042
15	7.5	30	61	17	0.98	2.37	1645
18	9	36	73	20	1.15	3.80	2639
21	10.5	42	85	23	1.37	5.47	3799
24	12	48	97	26	1.63	9.00	6250
30	15	60	121	32	1.95	13.00	9028
36	18	72	145	38	2.90	22.00	15278
48	24	96	193	50	3.40	33.50	23264

DIMENSIONS IN INCHES

Sales & Support
 Intermountain Environmental
 (800) 948-6236 or (435) 755-0774
<http://www.inmtn.com>
 info@inmtn.com

FREE FLOW[®] INC.
 OMAHA
 date: 2-9-87
 approved by:
 drawn by: JLK
 scale: NONE
 NEBRASKA
 PROJECT:
 4D PALMER BOWLUS FLUME WITH ATTACHED STILLING WELL
 drawing number PB-20333

© 1987 FREE FLOW INC.